

WHOW

Concrete frame screw Ø7.5 with pan head, TX-30



AT-15-8977/2012



Description

Screw for fixing woodwork to timber and masonry substrates.

Technical data

Type of installation push-through installation

Substrate concrete, solid clay brick, calcium silicate brick

Sleeve material/protective coating

Blue zinc

Features and advantages of the product

212 mm

Screw length

We manufacture screws up to 212 mm long



TX-30 drive

TX drive guarantees optimum torque transfer.



Pan head

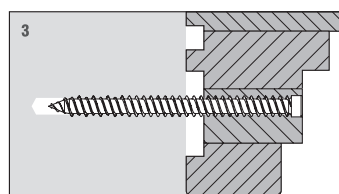
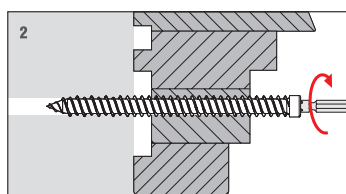
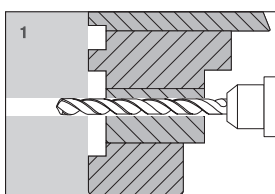
The shape of the head ensures its required sinking in the installed timber elements.



Thread serration

Thread design guarantees reliable and long-lasting connection – both in timber and masonry.

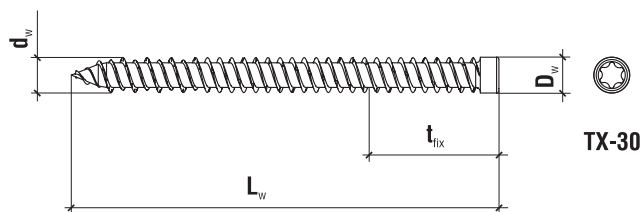
Installation



Product marking

WHOW	75	042
Type	Diameter	Length

TECHNICAL DATA

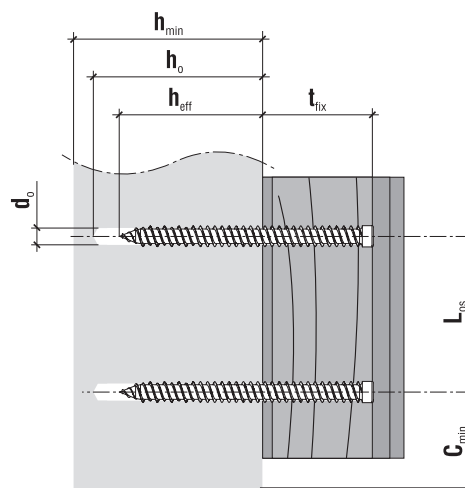


	Code	$d_w \times L_w$ [mm]	D_w [mm]	Drill hole diameter d_o [mm]	TX	Pcs
ø7.5	WHOW-75042	7.5 x 42	8.5	6	TX-30	200
	WHOW-75062	7.5 x 62	8.5	6	TX-30	200
	WHOW-75082	7.5 x 82	8.5	6	TX-30	100
	WHOW-75102	7.5 x 102	8.5	6	TX-30	100
	WHOW-75112	7.5 x 112	8.5	6	TX-30	100
	WHOW-75132	7.5 x 132	8.5	6	TX-30	100
	WHOW-75152	7.5 x 152	8.5	6	TX-30	100
	WHOW-75182	7.5 x 182	8.5	6	TX-30	100
	WHOW-75212	7.5 x 212	8.5	6	TX-30	100

TECHNICAL DATA

Parameter	Unit	WHOW
Screw diameter	d_w [mm]	7.5
Hole diameter	d_o [mm]	6
Effective anchorage depth	h_{eff} [mm]	30/40*
Depth of drill hole	h_o [mm]	40/50*
Drive type	x	TX-30
Screw material	x	Zinc plated steel
Approval	x	AT-15-8977/2012

* - solid clay brick



DESIGN PULL-OUT RESISTANCE [kN]

Substrate	Anchorage depth h_{eff} [mm]	Value [kN]
Concrete C20/25*	30	1.68
Solid clay brick**	40	0.95
Calcium silicate brick***	40	0.97

*Normal weight concrete C20/25

**Solid clay brick, class not lower than 10

***Solid sand-lime brick, class not lower than 20

SUBSTRATE, MINIMUM THICKNESS, DISTANCE

Substrate	Min. member thickness h_{min} [mm]	Min. edge distance c_{min} [mm]	Min. spacing L_{os} [mm]
Concrete C20/25	60	60	120
Solid clay brick	80	80	160

