

SFXK

Universal plug Ø10 with hex head screw



NEW!



100% pure material
nylon



Description

Hex head screw for fixing of light duty interior finish systems and lightweight installations - sleeve made of nylon.

Technical data

Type of installation pre-positioned installation.

Substrate concrete, solid clay brick, perforated solid brick, calcium silicate brick, autoclaved aerated concrete, plasterboards, concrete panels.

Sleeve material/protective coating

100%
nylon

Blue
zinc

Features and advantages of the product



Reduced diameter of the bottom part
- facilitates installation in the drill hole.



Special ribs
- a new solution which holds the sleeve firmly in place.



Unique shape
- ensures a 'knot' is formed, which makes the plug sit firmly in the void.

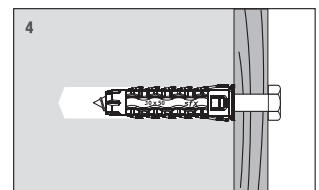
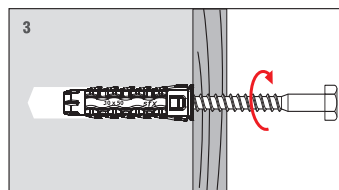
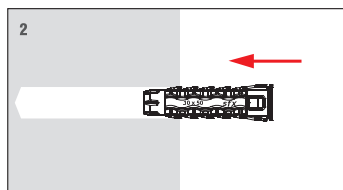
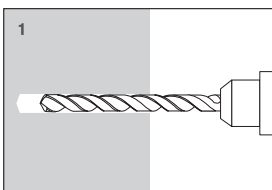


Increased collar diameter
- prevents the plug from sinking into the substrate.



Special anti-rotation fins
- prevent rotation in the substrate during installation.

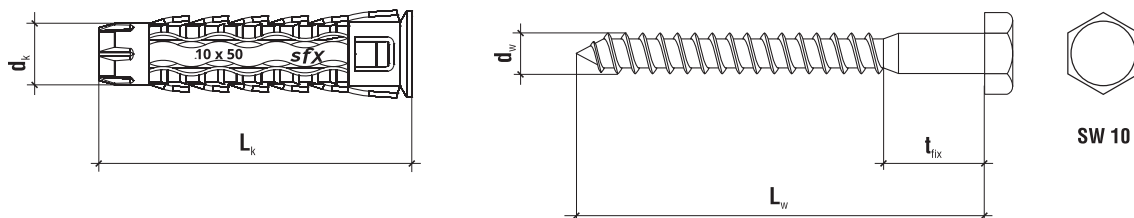
Installation



TECHNICAL DATA

Product marking

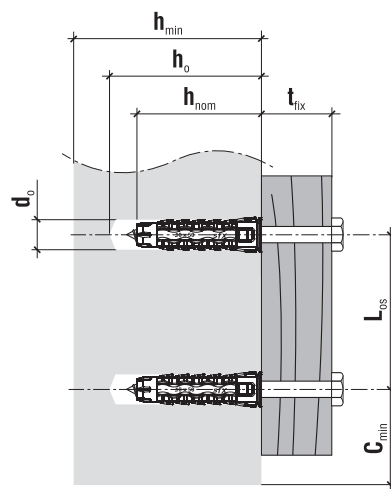
SFXK	10	050	060
Type	Diameter	Length	Screw length



	Code	$d_k \times L_k$ [mm]	$d_w \times L_w$ [mm]	Max. fixture thickness t_{fix} [mm]	SW	Pcs
Ø10	SFXK-10050060	10 x 50	6.0 x 60	10	SW-10	25
	SFXK-10050070	10 x 50	6.0 x 70	20	SW-10	25
	SFXK-10060070	10 x 60	6.0 x 70	10	SW-10	25
	SFXK-10060080	10 x 60	6.0 x 80	20	SW-10	25

TECHNICAL DATA

Parameter	Unit	Value
Plug diameter	d_k [mm]	10
Hole/drill diameter	d_o [mm]	10
Effective anchorage depth	h_{eff} [mm]	50, 60
Depth of drill hole	h_o [mm]	60, 70
Drive type	x	SW-10
Sleeve material	x	PA
Screw material	x	Zinc plated steel
Approval	x	AT-15-9702/2016



DESIGN PULL-OUT RESISTANCE [kN]

Substrate	SFXK	
	Ø10x50	Ø10x60
Normal weight concrete class C20/25 ÷ C50/60	0.67	0.67
Solid clay brick MZ class 20	0.60	0.60
Calcium silicate brick KS class 20	0.60	0.60
Calcium silicate hollow blocks (perforated) class15	0.36	0.36
Hollow clay brick class15	0.36	0.36
Autoclaved aerated concrete PP6 600/4	0.75	0.75
Plasterboards 12.5 mm	0.20	0.20
Fibreboard 12.5 mm	0.20	0.20
Plasterboards 2 x 12.5 mm		0.45