

SMKC

Hammer drive plug with cylindrical collar Ø5, Ø6 **POLYPROPYLENE**

SMNKC

Hammer drive plug with cylindrical collar Ø5, Ø6 **NYLON**



NEW!



Description

Plug with collar for fixing of metal members.

Technical data

Type of installation push-through installation.

Substrate concrete, solid clay brick, calcium silicate brick, autoclaved aerated concrete.

Sleeve material/protective coating

PP polypropylene	100% nylon	Blue zinc
----------------------------	----------------------	---------------------

Features and advantages of the product



Better holding power

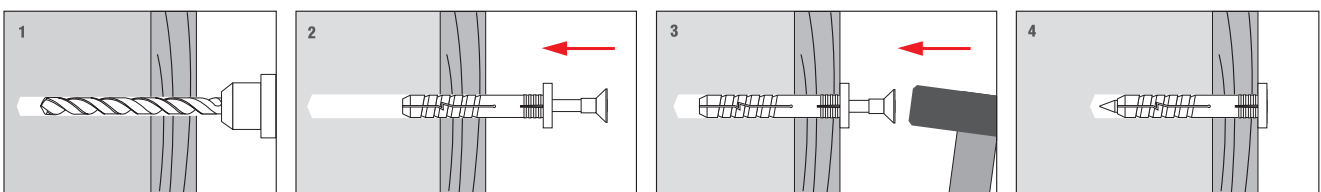
Increased head diameter ensures much better holding power of the elements being installed.



Secure fixing

Countersunk head is more solid with special underhead strengthening.

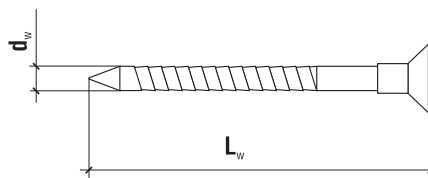
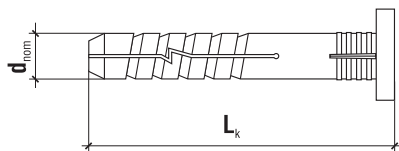
Installation



TECHNICAL DATA

Product marking

SMNKC	05	035
Type	Diameter	Length

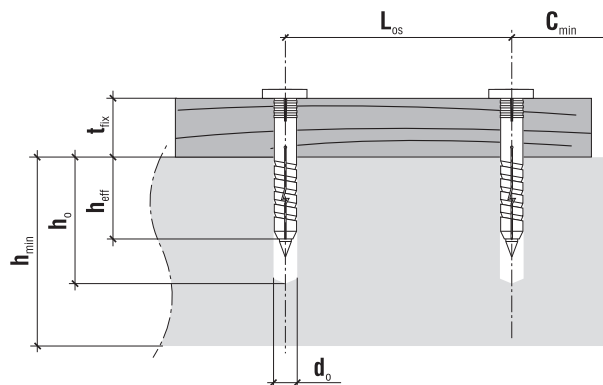


PZ-2

	Code Polypropylene	Code NYLON	$d_k \times L_k$ [mm]	$d_w \times L_w$ [mm]	Max. fixture thickness t_{fix} [mm]	PZ	Pcs
ø5	SMKC-05035	SMNKC-05035	5 x 35	3.5 x 40	5	PZ 2	200
ø6	SMKC-06040	SMNKC-06040	6 x 40	3.9 x 45	10	PZ 2	200
	SMKC-06060	SMNKC-06060	6 x 60	3.9 x 65	30	PZ 2	100

TECHNICAL DATA

Parameter	Unit	SMKC	SMNKC
Plug diameter	d_k [mm]	5/6	5/6
Hole diameter	d_o [mm]	5/6	5/6
Effective anchorage depth	h_{eff} [mm]	30	30
Depth of drill hole	h_o [mm]	40	40
Sleeve material	x	PP	PA
Screw material	x	Zinc plated steel	Zinc plated steel
Approval	x	AT-15-9031/2012	AT-15-9031/2012



DESIGN PULL-OUT RESISTANCE [kN]

Substrate	SMKC-5	SMNKC-5	SMKC-6	SMNKC-6
Concrete C20/25	0.31	0.64	0.23	0.67
Solid clay brick	0.06	0.40	0.18	0.30
Calcium silicate brick	0.26	0.42	0.32	0.42
Autoclaved aerated concrete	0.10	0.08	0.13	0.11

SUBSTRATE, MINIMUM THICKNESS, DISTANCE

Plug type	Min. member thickness h_{min} [mm]	Min. edge distance c_{min} [mm]	Min. spacing L_{os} [mm]
SMNKC-5	60	30	60
SMNKC-6	60	30	60