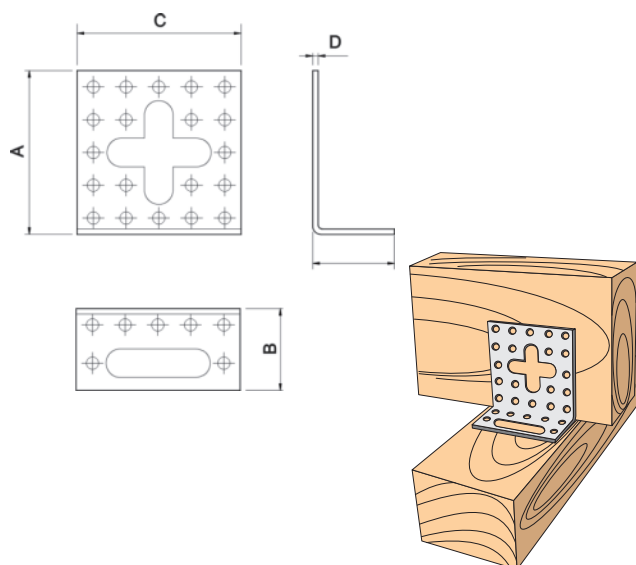


KN Adjustable angle bracket



AT-15-8508/2012



Description

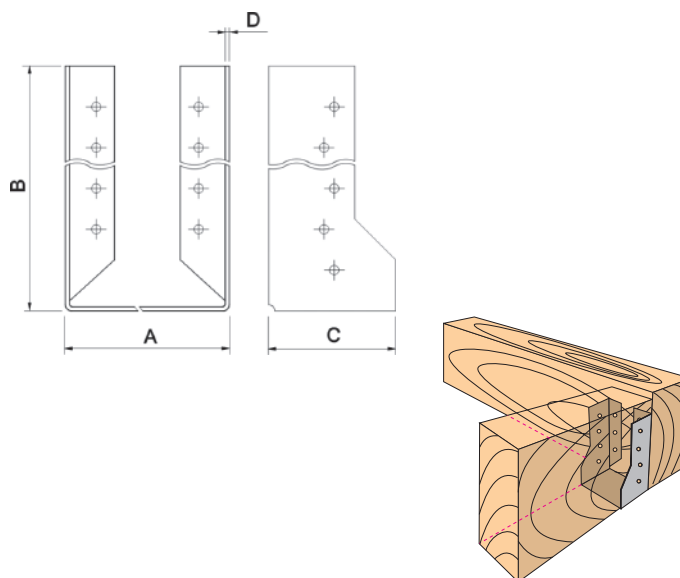
Three-dimensional plate fasteners for nailing are used for timber-to-timber connections. Can be made with the following fasteners: nails, screws, ring shank nails and screws. Material: steel sheet. Corrosion protection: zinc plated. Fire resistance class A1

Code	Dimensions [mm]				No. of holes					Design re-sistance [kN]	Pcs
	A	B	C	D	ø4.5	ø5.0	ø7.0	ø11	ø14		
KN-01(X50)	60	30	60	2	27	-	-	-	-	1.23	50
KN-02(X50)	60	40	60	2.5	-	12	-	2	1	1.23	50
KN-03(X50)	80	65	20	4	-	-	2	-	-	1.23	50

WBW Internal joist hanger



AT-15-8508/2012



Description

Three-dimensional plate fasteners for nailing are used for timber-to-timber connections. Can be made with the following fasteners: nails, screws, ring shank nails and screws. Material: steel sheet. Corrosion protection: zinc plated. Fire resistance class A1

Code	Dimensions [mm]				No. of holes	Design re-sistance [kN]	Pcs
	A	B	C	D	ø4.5		
WBW-01(X20)	60	100	60	2.0	14	5.53	20
WBW-02(X20)	80	120	60	2.0	18	5.53	20
WBW-03(X10)	100	140	60	2.0	22	6.98	10
WBW-04(X10)	120	160	60	2.0	26	9.69	10
WBW-05(X10)	140	180	60	2.0	30	9.69	10