

KPK 12

Frame plug Ø12 with SW-13 hex head screw



AT-15-9031/2012



Description

Frame plug with hex head screw for fixing of steel members

Technical data

Type of installation push-through installation

Substrate concrete, solid clay brick, calcium silicate brick, perforated clay brick, autoclaved aerated concrete

Sleeve material / Protective coating

100% nylon

Blue zinc

Features and advantages of the product



SW-13 head

SW-13 hex head helps to tighten the screw with a given force (e.g. with torque wrench). Easy installation, the head doesn't get worn down.



Anchor length up to 200 mm

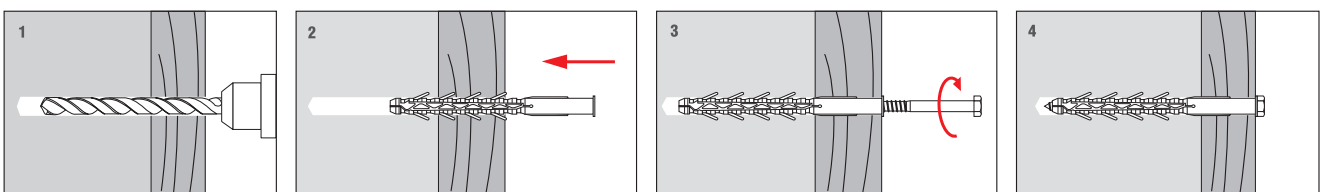
Enables you to fasten materials up to 120 mm thick.

KPR-12 sleeves available

You can re-use the screw with KPR-12 sleeve.



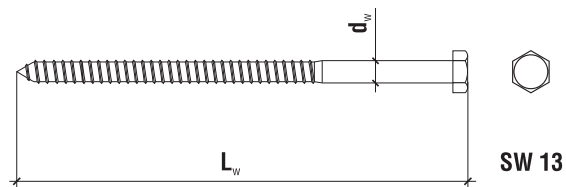
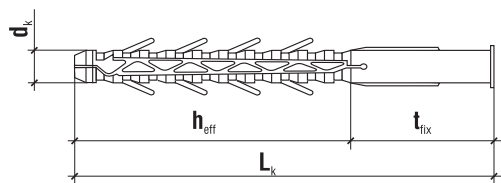
Installation



TECHNICAL DATA

Product marking

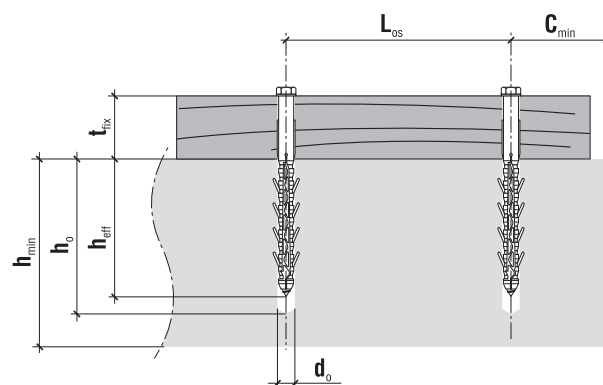
KPK	12	100
Type	Diameter	Length



	Code	$d_k \times L_k$ [mm]	$d_w \times L_w$ [mm]	Max. fixture thickness t_{fix} [mm]	SW-13	Pcs
ø12	KPK-12100	12 x 100	8.0 x 100	20	SW-13	25
	KPK-12120	12 x 120	8.0 x 120	40	SW-13	25
	KPK-12140	12 x 140	8.0 x 140	60	SW-13	25
	KPK-12160	12 x 160	8.0 x 160	80	SW-13	25
	KPK-12180	12 x 180	8.0 x 180	100	SW-13	25
	KPK-12200	12 x 200	8.0 x 200	120	SW-13	25

TECHNICAL DATA

Parameter	Unit	KPK 12
Plug diameter	d_k [mm]	12
Hole diameter	d_o [mm]	12
Effective anchorage depth	h_{eff} [mm]	80
Depth of drill hole	h_o [mm]	90
Key size	x	SW-13
Sleeve material	x	PA
Screw material	x	Zinc plated steel
Approval	x	AT-15-9031/2012



CHARACTERISTIC PULL-OUT RESISTANCE [kN]

Substrate	KPK 12
Concrete C20/25	1.74
Solid clay brick	0.52
Solid sand-lime brick	0.93
Perforated clay brick	0.39
Autoclaved aerated concrete	0.19

SUBSTRATE - MINIMUM THICKNESS, DISTANCE

Substrate	Min. member thickness h_{min} [mm]	Min. edge distance c_{min} [mm]	Min. spacing L_{os} [mm]
Concrete C20/25	160	80	160
Solid clay brick	160	80	160
Solid sand-lime brick	160	80	160
Perforated clay brick	160	80	160
Autoclaved aerated concrete	160	80	160

