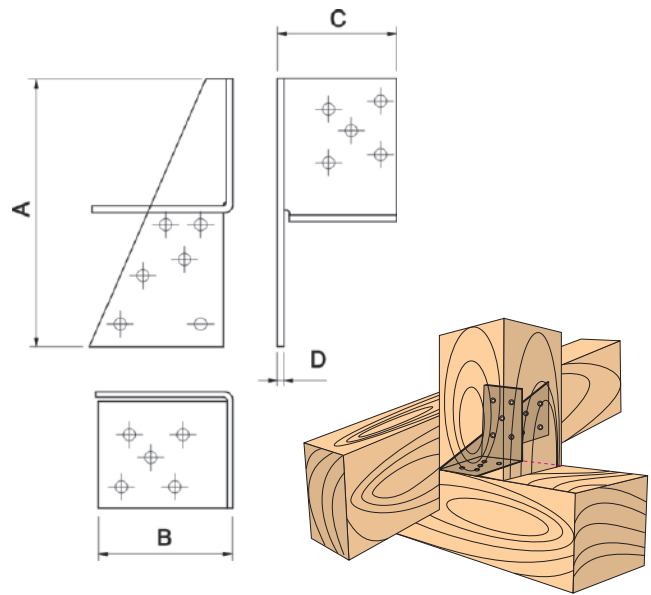


LU Universal connector



AT-15-8508/2012



Description

Three-dimensional plate fasteners for nailing are used for timber-to-timber connections. Can be made with the following fasteners: nails, screws, ring shank nails and screws. Material: steel sheet. Corrosion protection: zinc plated. Fire resistance class A1

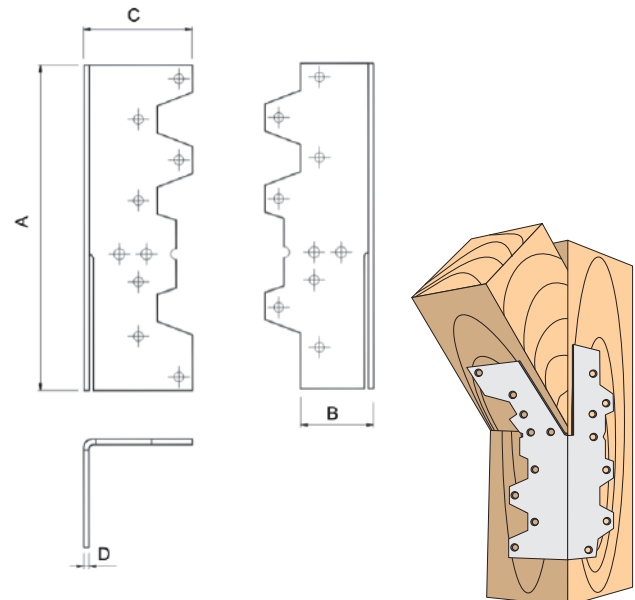
Code	Dimensions [mm]				No. of holes ø4.5	Design resistance [kN]	Pcs
	A	B	C	D			
LU-01-L(X20)*	100	50	40	2.5	16	1.83	20
LU-02-P(X20)**	100	50	40	2.5	16	1.83	20

*L - left; **P - right

KG Framing anchor with bendable tabs



AT-15-8508/2012



Description

Three-dimensional plate fasteners for nailing are used for timber-to-timber connections. Can be made with the following fasteners: nails, screws, ring shank nails and screws. Material: steel sheet. Corrosion protection: zinc plated. Fire resistance class A1

Code	Dimensions [mm]				No. of holes		Design resistance [kN]	Pcs
	A	B	C	D	ø3.5	ø4.0		
KG-01(X50)	120	40	40	2.0	14	4	1.13	50