

**SMM** Metal hammer drive anchor  $\varnothing 6$



Description

Universal metal hammer-in anchor designed for fixing of thin metal members, drywall encasement elements, flashings, suspended ceiling systems.

Technical data

Type of installation push-through installation.

Substrate concrete in compression zone, solid clay brick.

Sleeve material/protective coating

**Zn/Al  
ALLOY**

Features and advantages of the product



**ZnAl anchor +  
steel nail**

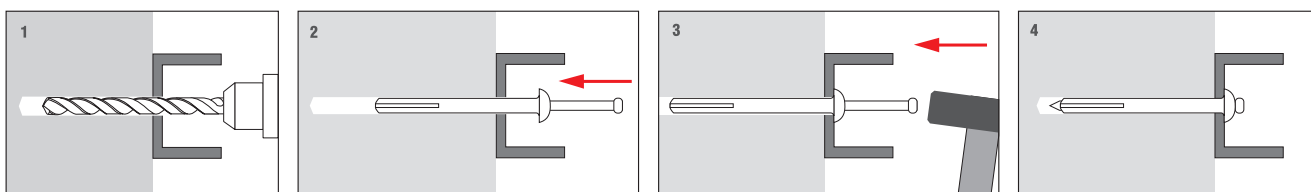
High resistance to fire, class A1 fire rating (fireproof).

**Hammer-in installation  
diameter of 6 mm**

Used as a substitute for standard 'rapid installation' plugs, where steel anchors are required.



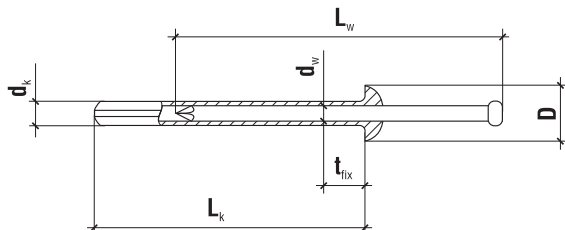
Installation



Product marking

<b>SMM</b>	<b>06</b>	<b>040</b>
Type	Diameter	Length

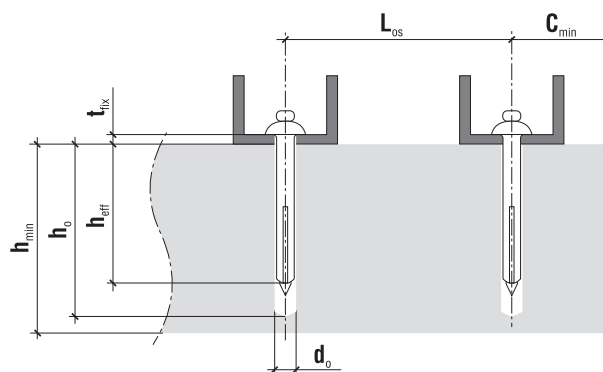
### TECHNICAL DATA



	Code	Collar diameter D [mm]	$d_k \times L_k$ [mm]	$d_w \times L_w$ [mm]	Max. fixture thickness $t_{fix}$ [mm]	Pcs
<b>06</b>	<b>SMM-06040</b>	13	6.0 x 40	3.8 x 50	10	100
	<b>SMM-06050</b>	13	6.0 x 50	3.8 x 60	20	100
	<b>SMM-06065</b>	13	6.0 x 65	3.8 x 75	35	100

### TECHNICAL DATA

Parameter	Unit	SMM
Anchor diameter	$d_k$ [mm]	6.0
Hole diameter	$d_o$ [mm]	6
Effective anchorage depth	$h_{eff}$ [mm]	30
Depth of drill hole	$h_o$ [mm]	40
Sleeve material	x	Zn/Al alloy
Approval	x	<b>AT-15-9018/2012</b>



### DESIGN PULL-OUT RESISTANCE [kN]

Substrate	SMM
Concrete C20/25	1.47
Solid clay brick	1.06

### SUBSTRATE, MINIMUM THICKNESS, DISTANCE

Substrate	Min. member thickness $h_{min}$ [mm]	Min. edge distance $c_{min}$ [mm]	Min. spacing $L_{os}$ [mm]
Concrete C20/25	60	30	60
Solid clay brick	60	30	60