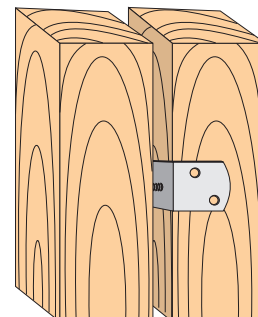
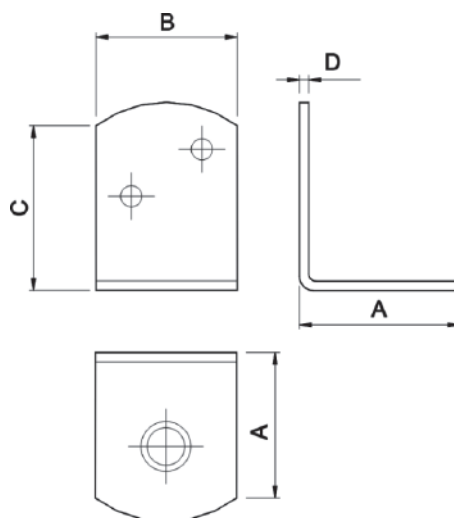


OP1W Plate clip with screw



AT-15-8508/2012

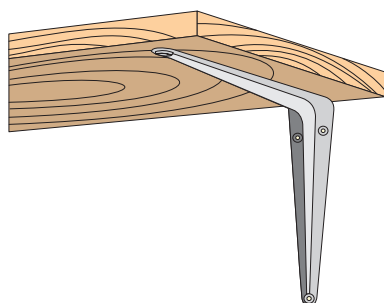


Description

Material: steel sheet. Corrosion protection: zinc plated. Fire resistance class A1

Code	Dimensions [mm]				No. of holes		Design resistance [kN]	Pcs
	A	B	C	D	ø4.0	ø7.0		
OP-01-W(X50)	31	30	27	2	2	1	1.13	50

WP Shelf bracket



Code	Dimensions [mm]		Colour	Pcs
	A	B		
WP-01BI(X20)	75	100	white	20
WP-02BI(X20)	100	125	white	20
WP-03BI(X20)	125	150	white	20
WP-04BI(X20)	150	200	white	20
WP-05BI(X20)	175	225	white	20
WP-06BI(X20)	200	250	white	20
WP-07BI(X20)	250	300	white	20
WP-08BI(X20)	300	350	white	20
WP-09BI(X20)	350	400	white	20
WP-01BR(X20)	75	100	brown	20
WP-02BR(X20)	100	125	brown	20
WP-03BR(X20)	125	150	brown	20
WP-04BR(X20)	150	200	brown	20
WP-05BR(X20)	175	225	brown	20
WP-06BR(X20)	200	250	brown	20
WP-07BR(X20)	250	300	brown	20
WP-08BR(X20)	300	350	brown	20
WP-09BR(X20)	350	400	brown	20

Description

Material: powder painted steel sheet